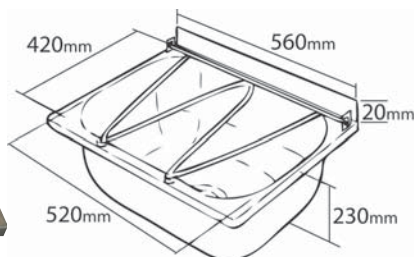


Mercer Products is excited to introduce you to a small range of products suitable for future School Programs

Cleaners Sink Classic FS030 BP321030A



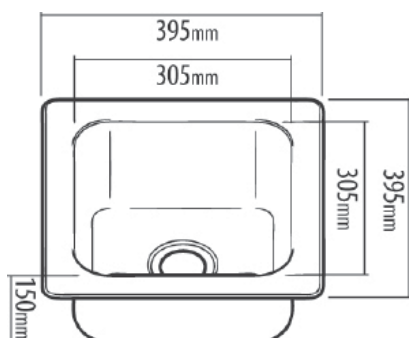
Features

- 90mm waste hole with 50mm reducer (1 inc)
- Material Thickness 0.9mm
- 45 litre capacity
- Upstand to rear
- Comes with grid (1)
- Comes with bracket (2)

Optional Accessory

- Cleaner sink legs can be purchased separately AL100

Laboratory Sink ER015 BP115015



Features

- Constructed from 316 grade stainless steel
- Resistant to chemicals and marine environments (bowls must be washed out with water after use)
- Cannot crack or chip (unlike polypropylene bowls which are used in chemical environments).
- 45mm flange
- 13 litre capacity
- 50mm waste (plug not supplied)
- Supplied with 8 mounting clips

Should you wish to organise a hard cover product folder, or seeking further information please call: Linnie Taylor (Brisbane Head Office 07 3279 2020) or Marshall Powe - QLD Territory Manager, Wayne Ford - NSW Regional Manager, Eddie Cuderman - VIC/SA/TAS Regional Manager.

Founded in 1882 in New Zealand by James Mercer, Mercer Products parallels the strength of early pioneers in Australasia. Over 125 years, Mercer has forged forward and become a leader in excellence for manufacturing stainless steel products in both domestic and commercial environments. Mercer only uses top quality products to create a finish that will last a lifetime – we are so confident in our product we offer a 25 year warranty on all Mercer sinks with domestic environment.

Please visit our website www.mercerproducts.com.au to view selected stock and discover the full potential of this beautiful collections.

CAUTION - This message may contain privileged and confidential information intended only for the use of the addressee named above. If you are not the intended recipient of this message you are hereby notified that any use, dissemination, distribution or reproduction of this message is prohibited. If you have received this message in error please notify the original sender immediately. Any views expressed in this message are those of the individual sender and may not necessarily reflect the views of Mercer Stainless Ltd, Mercer Products Ltd.